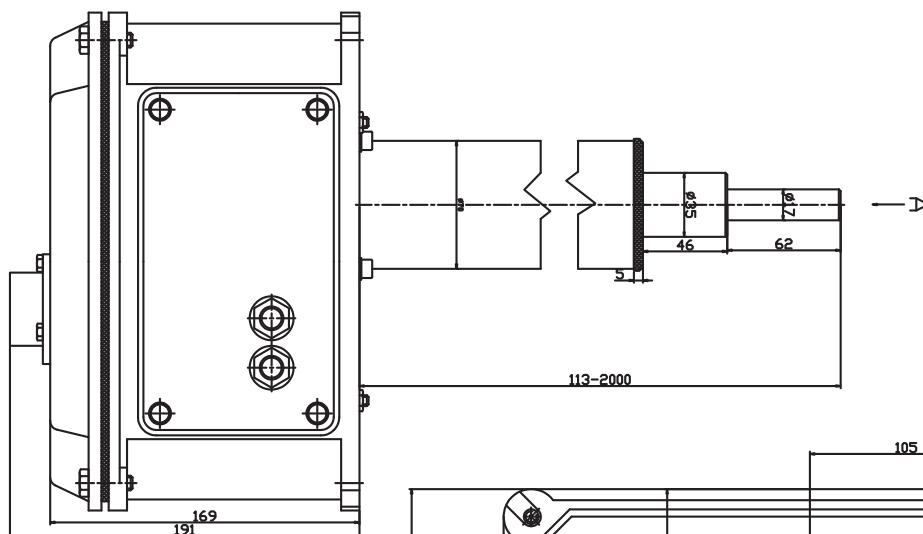


Floral clock movement

Autonomous clock movement with embedded control, applicable for floral clocks. It is protected against extra environmental conditions.

Features

- Max. 10 meters dial size
- IP65, bushed shafts, water- and dustproof with simmerings
- Increased driving torque
- Safety clutch against vandalism
- Automatic, autonomus clock movement regulated on the right time
- No user interface, configurable via ANSI/VT100 terminal
- Controlled AC driving
- Integrated electrical absolute sensors for position feedback
- Temperature compensated quartz timebase
- Integrated power electronics without electromechanical relays
- Automatic setting after power failure
- Compatible with GPS and DCF77 timesystem
- Compatible with the CAN master clock
- Diagnostical functions via terminals
- Servicing 10 yearly



Specification

- 300×300mm, cast-aluminium drive casing
- 600/70mm shaft elongation
- 35/17mm leaving axles with safety coupling
- Weight: approx. 20kg
- 230V/100VA AC power

